

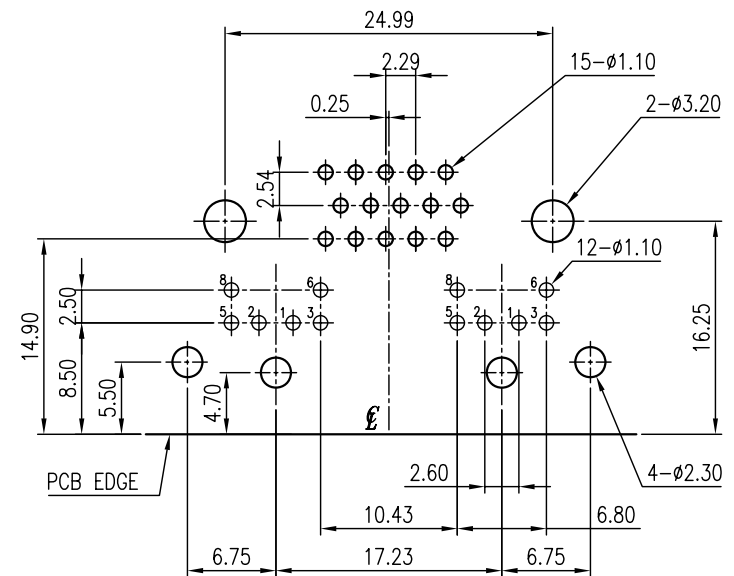
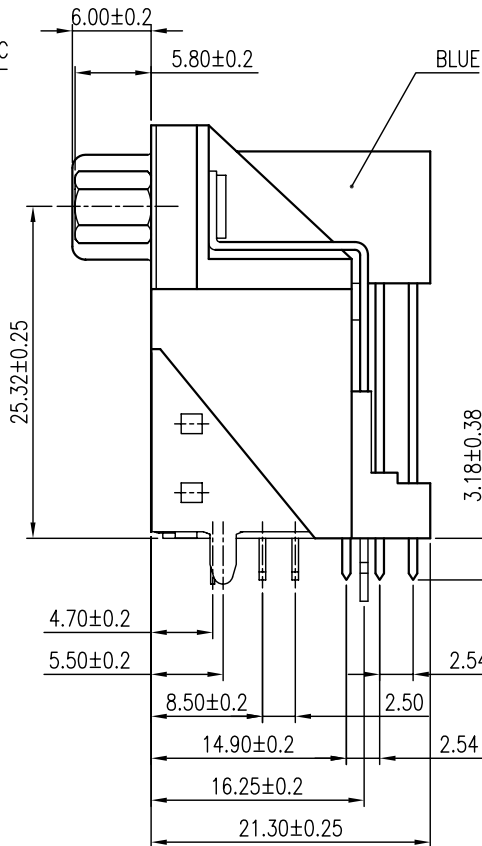
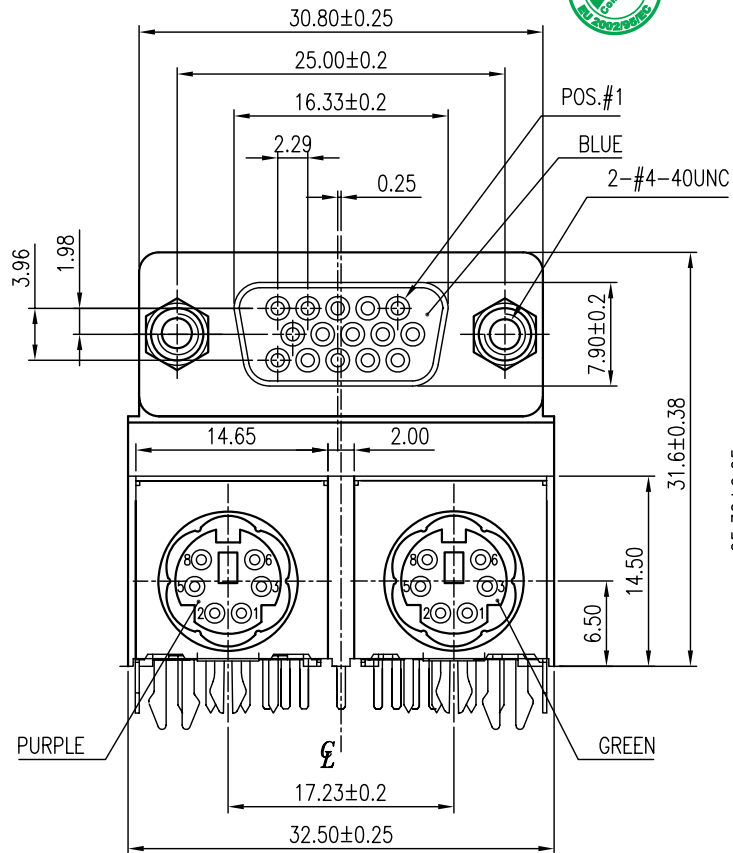
This document is the property of Amphenol Corporation and is delivered on the express condition that is not to be disclosed, reproduced or used, in whole or in part, for manufacture or sale by anyone other than Amphenol Corporation without its prior consent, and that no right is granted to disclose or to use any information in this document.
 The marking on this product doesn't contain environmental hazardous materials per Material Specification 55-00259 for Sony GP compliant or per directive 2002/95/EC for RoHS compliant.



ORIGINAL



REVISIONS				
SYM	ECN No.	DESCRIPTION	DATE	APPROVED
A		RELEASE FOR RoHS	08/16/2005	Henry Ko
B	NE-09158	ADD PACKAGING SPECIFICATION	09/17/2009	Roger Tsai



NOTES:

- FRONT SHELL: COLD ROLLER STEEL, TIN PLATED
- CONTACT: BRASS, FLASH GOLD PLATED ON CONTACT AREA, 100µ" TIN PLATED ON SOLDERING AREA, 50µ" MIN. NICKEL UNDERPLATED OVERALL
- INSULATOR OF D-SUB: PBT, UL 94V-0, COLOR- BLUE (PC99 PANTONE 660C~662C)
- MINI DIN INSULATOR: PBT, UL 94V-0
 LEFT PORT: COLOR- PURPLE (2705C AND 2715C)
 RIGHT PORT: COLOR- GREEN (3385C~3395C)
- TOP CONNECTOR: D-SUB 15-POSITION, RECEPTACLE
 BOTTOM CONNECTOR: 6-POSITION MINI DIN X2
- THIS PRODUCT DOESN'T CONTAIN ENVIRONMENTAL HAZARDOUS MATERIALS PER DIRECTIVE 2002/95/EC FOR RoHS.
- THE PRODUCT MUST BE FOR DIP PROCESS ONLY

TOLERANCE	APPROVALS	DATE	TITLE		Amphenol®	
X. ±0.30	DRAWN Roger Tsai	09/17/2009	G17H SERIES HIGH DENSITY D-SUB / MINI DIN X2, R/A PCB MOUNT FOR PC 99 SYSTEM		Amphenol Corporation Amphenol Taiwan Corporation	
X.X ±0.20	CHECKED Daniel Hsieh	09/17/2009				
X.XXX ±0.10	APPROVED Roger Tsai	09/17/2009				
ANGULAR ±1°	DWG TYPE CUST DWG	PROJECT CODE DSUB				
UNLESS OTHERWISE SPECIFIED			UNIT mm	SCALE NA	SIZE A3	PART No. G17H57K0127FPEU
					SHEET 1 OF 2	DWG No. G17H57K0127FPEU
						REV. B

This document is the property of Amphenol Corporation and is delivered on the express condition that is not to be disclosed, reproduced or used, in whole or in part, for manufacture or sale by anyone other than Amphenol Corporation without its prior consent, and that no right is granted to disclose or to use any information in this document.

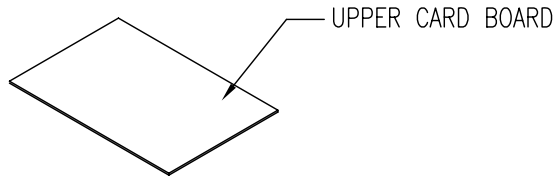
The marking on this product doesn't contain environmental hazardous materials per Material Specification 55-00259 for Sony GP compliant or per directive 2002/95/EC for RoHS compliant.



ORIGINAL

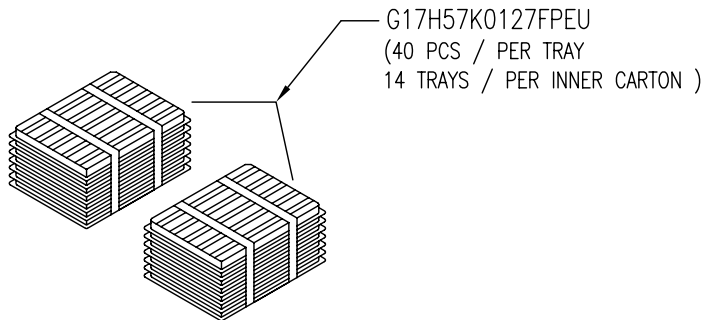


REVISIONS				
SYM	ECN No.	DESCRIPTION	DATE	APPROVED
A		RELEASE FOR RoHS	08/16/2005	Henry Ko
B	NE-09158	ADD PACKAGING SPECIFICATION	09/17/2009	Roger Tsai



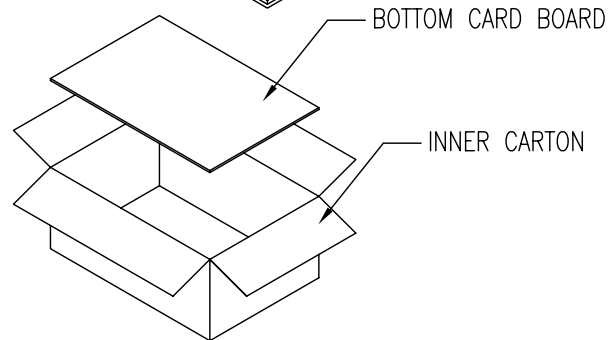
UPPER CARD BOARD

CARTON SPECIFICATION :
 INNER CARTON DIMENSION:46.5*32*26CM
 OUTSIDE CARTON DIMENSION:48.5*34*29CM



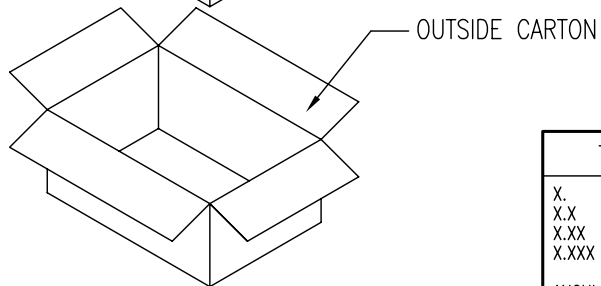
G17H57K0127FPEU
 (40 PCS / PER TRAY
 14 TRAYS / PER INNER CARTON)

G17H57K0127FPEU	15.30	16.30	40*14=560	2240
PART NO.	N.W:(KG)	G.W:(KG)	QT'Y(PCS)/CARTON	MOQ (PCS)



BOTTOM CARD BOARD

INNER CARTON



OUTSIDE CARTON

TOLERANCE		APPROVALS		DATE	TITLE			Amphenol®							
X.		DRAWN Roger Tsai		09/17/2009	G17H SERIES HIGH DENSITY D-SUB / MINI DIN X2, R/A PCB MOUNT FOR PC 99 SYSTEM			Amphenol Corporation Amphenol Taiwan Corporation							
X.X	±0.30	CHECKED Daniel Hsieh		09/17/2009											
X.XX	±0.20	APPROVED Roger Tsai		09/17/2009											
X.XXX	±0.10	UNLESS OTHERWISE SPECIFIED		CUST DWG	PROJECT CODE	DSUB		UNIT	mm	SIZE	A3	PART No.	G17H57K0127FPEU		
								SCALE	NA	SHEET	2 OF 2		DWG No.	G17H57K0127FPEU	REV.